



Power Type

NL Series

Features

- High Capacitance and Low ESR
- Quick charge & discharge
- Environmentally friendly products
- Extended temperature to 85°C
- Humidity resistance @ RH90%

Certification

- RoHS & REACH compliant
- UL recognized (File No. MH10260)

Recommended Applications

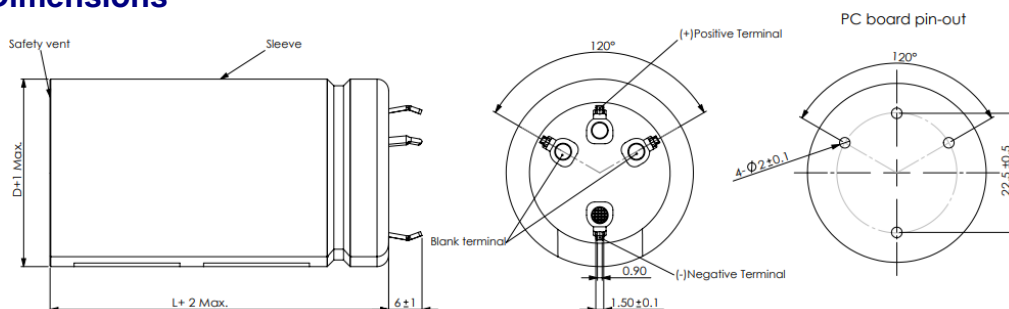
- Pulse power demand
- Hybrid battery packs
- Power tools



Specification

Items	Characteristics	
Rated Voltage	2.3 V	2.7 V
Operating Temp. (Charge)	-40°C ~ 85°C	-40°C ~ 65°C
Surge Voltage	2.85 V	
Capacitance Tolerance	-20% ~ +20% of Rated Capacitance	
Storage Temp.	-40 °C to 85 °C	-40 °C to 70 °C
Test	Endurance	Standards
High Temp. Life	1000hrs @ Rated Voltage & Max. Operating Temp.	Must to meet standards as below after test: CAP decline < 30% of Initial measurement. ESR < 2 times specification value.
Shelf Life (Non-Charge)	1000hrs @ Max. Operating Temp.	
Life time	10 Years @ Rated Voltage & 25°C	
Cycle Life	500,000 Cycles @ 25°C (Operating Between 50%~100% Of Rated Voltage)	

Dimensions



D	L
35	50

Standard Ratings

Rated Cap (F) measure at 25°C	Size (mm) ΦDXL	Max. Internal Resistance (mΩ)		Max. LC (mA) 72hrs, 25°C	Stored Energy (Wh) 0.4050	Specific Energy		Specific Power		Max. Peak Current 1s to 1/2V (A) 93.10	Max. continuous current (A) 40	Isc (A) 225.00	Max. Weight (g) 75	Part Number NL2R7407M3560
		AC (1kHz,1V)	DC			(Wh/kg)	(Wh/l)	Pd (W/kg)	Pmax (W/kg)					
400	35X60	5	12	1.2	0.4050	5.4000	7.0158	972	2025	93.10	40	225.00	75	NL2R7407M3560