



Power Type

Series : PL



● Features

1. Small size and low-resistance
2. Quick charge & discharge
3. Environmentally friendly products

● Recommended Applications

1. Pulse power demand
2. Hybrid battery packs
3. Power tools

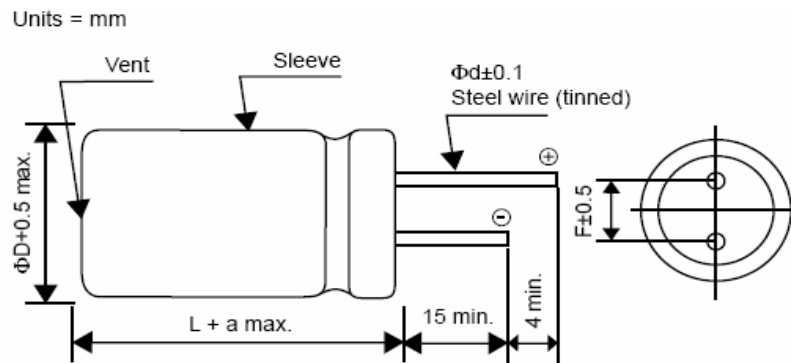
● Specifications		
Item	Performance	
Category temp. range	-40 °C to +70 °C	
Rated voltage	2.7 V .DC	
Capacitance	0.5 F to 100 F	
Capacitance tolerance	-20 % to +30 %	
Characteristics at low temperature	Capacitance Change	Within ±30% of initial measured value at +25°C (-40°C to +70°C)
	Internal resistance	Within 4 times of initial measured value at +25°C (at -40°C)
Endurance	After 1000 hours application of 2.7V. DC at +70°C, the capacitor shall meet the following limits.	
	Capacitance Change	Within ±30% of initial measured value
	Internal resistance	Within 2 times of initial specified value
Shelf Life	After 1000 hours storage at +70°C without load, the capacitor shall meet the specified limits for Endurance.	
Humidity Test	After 500 hour storage at 40±2°C , 90 to 95% R.H, the capacitor shall meet the specified limits for Endurance.	

REV01/07

Design, Specifications are subject to change without notice.. Ask factory for technical specifications before purchase and/or use. Whenever a doubt about safety arises from this product, please inform us immediately for technical consultation without fail.

● Dimension in mm(not to scale)

Radial Type



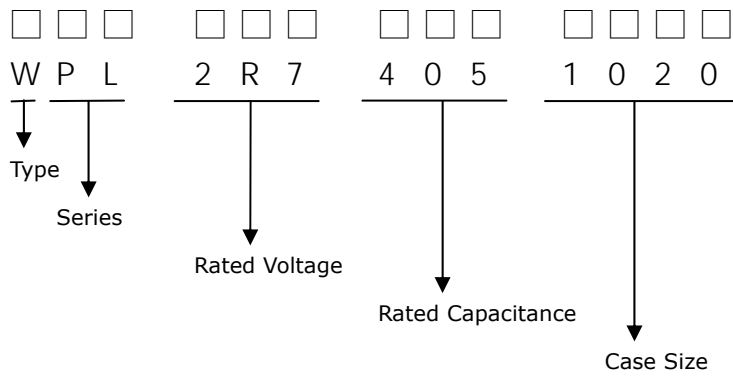
● Standard Products

Max Operating Voltage(V.DC)	CAP. (F)	ESR/DC (mΩ)	ESR /AC1kHz (mΩ)	Leakage Current (mA/12Hrs)	Size(mm)				YEC Parts No.
					ΦD	L	Φ d	F	
2.7	0.5	2000	1000	0.6	8	12	0.6	3.8	WPL2R75040812
	1	1000	500	0.7	8	12	0.6	3.8	WPL2R71050812
	1.5	600	300	0.8	8	14	0.6	3.8	WPL2R71550814
	2	500	350	0.8	8	16	0.6	3.8	WPL2R72050816
	3.3	350	250	0.8	10	20	0.6	5.3	WPL2R73351020
	4	300	150	1.2	10	20	0.6	5.3	WPL2R74051020
	5	200	130	1.2	10	20	0.6	5.3	WPL2R75051020
	6	150	100	1.2	10	20	0.6	5.3	WPL2R76051020
	8	100	70	1.3	10	25	0.6	5.3	WPL2R78051025
	10	100	70	1.4	10	30	0.6	5.3	WPL2R71061030
	22	60	40	1.4	12.5	35.5	0.8	5.5	WPL2R72261236
	25	60	40	1.5	16	26	0.8	7.8	WPL2R72561626
	30	40	30	1.5	16	31.5	0.8	7.8	WPL2R73061632
	50	40	30	1.6	18	41	1.0	8	WPL2R75061841
	60	30	20	1.6	18	45	1.0	8	WPL2R76061845
	70	25	18	1.6	18	45	1.0	8	WPL2R77061845
100	25	15	1.7	22	45	1.0	8	WPL2R71072245	

REV01/07

Design, Specifications are subject to change without notice.. Ask factory for technical specifications before purchase and/or use. Whenever a doubt about safety arises from this product, please inform us immediately for technical consultation without fail.

● Part Number System



● Typical Package

Size(mm)		Qty.
ΦD	L	
8	12	200
8	14	200
8	16	200
10	20	200
10	25	100
10	30	100
12.5	35.5	50
16	26	50
16	31.5	50
18	41	50
18	45	50
20	40	50
22	45	50