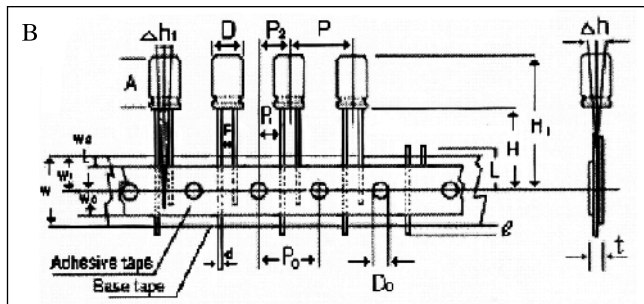
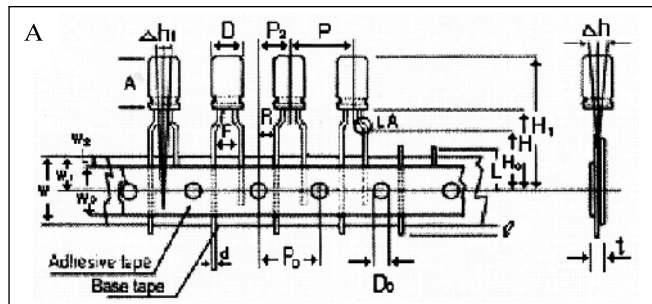




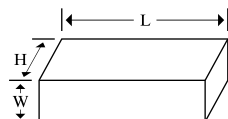
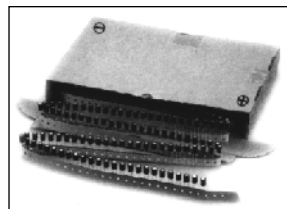
Aluminum Electrolytic Capacitors

帶式貼品 RADIAL AMMO PACK



DIMENSIONS

ITEM	Symbol	Case size									(mm) Tolerance
		4x5 4x7	5x5 5x7	6x5 6.3x7	8x5 8x7	5x11	6.3x11	8x11	10x17	10x21	
端子線徑 Lead wire diameter	d	0.45			0.5		0.6			±0.05	
本體高度 Body height	A	6.0			12.5		18.5	22.5		Max	
本體間隔 Pitch of body	P	12.7									±1.0
打孔間隔 Feed hole pitch	P0	12.7									±0.3
打孔與端子線距離 Hole center to lead distance	P1	5.1			3.85		4.6	3.85		±0.5	
打孔與本體距離 Feed hole center to body center distance	P2	6.35									±1.0
端子線間距離 Lead to lead distance	F	5.0				5.0					+0.6 -0.2
台紙寬度 Base tape width	W	18.0									±0.5
粘貼紙寬度 Adhesive tape width	W0	12.5									Min
打孔與台紙偏差 Hole position	W1	9.0									+0.75 -0.50
粘貼紙與台紙偏差 Hole down tape position	W2	3.0									Max
本體下端位置 Height of body from tape center	H	17.5			18.5		20.0	18.5		±0.75	
端子線成形高度 Lead wire clinch height	H0	16.0									±0.5
製品上限位置 Component height	H1	27.5			32.5					Max	
打穿孔徑 Feed hole diameter	D0	4.0									±0.3
端子線突出長度 Lead wire protrusion	ℓ	1.0									Max
不良品截切位置 Length of snipped lead	L	11.0									Max
台紙與粘貼紙厚度 Total tape thickness	t	0.7									±0.3
本體前後傾斜偏差 Body alignment	Δh	0									±2.0
本體左右傾斜偏差 Body alignment	Δh1	0									±1.0
端子線成形角度 Lead wire clinch angle	∠A	17°									±5°



PACKAGE DIMENSION AND NUMBER UNIT:mm

SYMBOL	4φ	5φ	6.3φ	8φ	10φ
L	—	—	—	—	336
W	—	—	—	—	53
H	—	—	—	—	240
pcs/Box	2500	2000	1500	1000	700